

# SIMULATION SAES

SATS / SIMAC-S80 / MT-TAT

Simulation, stimulation, modeling, interface simulators, systems to meet all simulation requirements of a project at all stages of development, verification and test, as well as tactical and operational simulators.

SAES as a company specialist in Electronic & Underwater Acoustic, provides innovative solutions and sophisticated acoustic simulation systems:

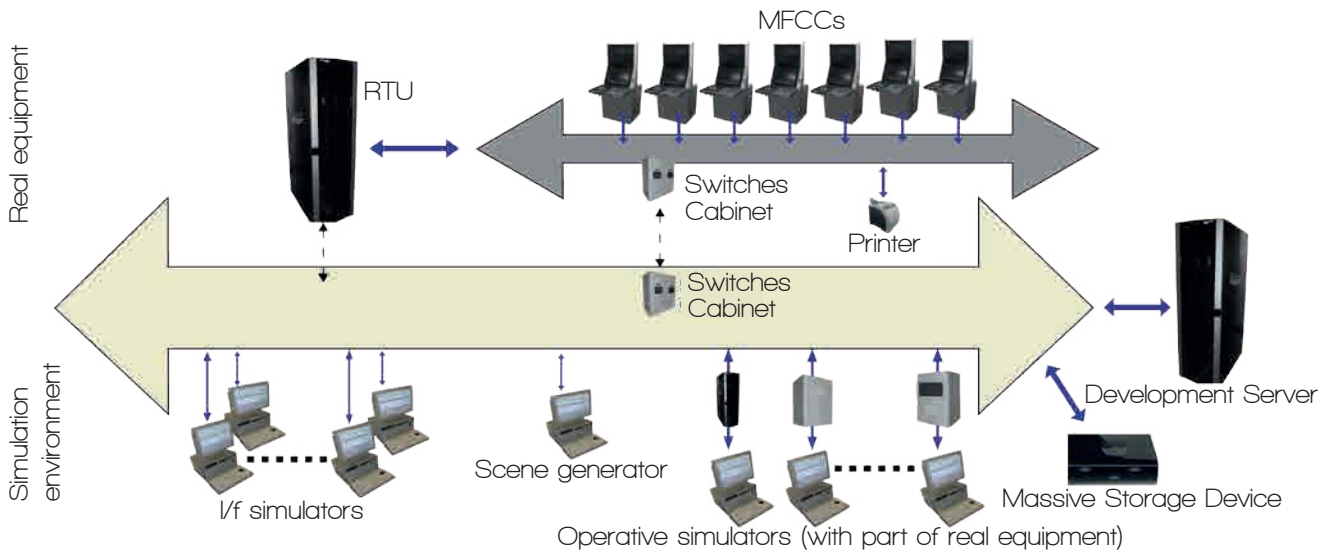
**Trainers:** real equipments simulators for operator training, both individually and at team level.

**Stimulators (Sonar, Sonobuoy):** emulation of acoustic signals received by another entity.

**Scenarios Modelling:** generation, maintenance and interaction of acoustic signatures, affected and influenced by the conditions of acoustic environment in terms of propagation, bathythermy, etc.

**Modeling:** Sonar performance prediction and acoustic propagation models.

**Interface simulators:** systems incorporating the same functionality and interfaces than the real equipment.



## SATS

Submarine Tactical Training Simulator.

Tactical and operational simulator & trainer for the combat system of the Spanish Agosta & Daphne class submarines.



## MT-TAT

Acoustic Mission Trainer and Tactical Crew Trainer.

Simulation of SAES acoustic subsystem installed into the P3 Orion MPA aircraft.

It provides full acoustic stimulation, modeling the scenario and generating sonobuoys signals.

## SIMAC-S80

Acoustic Simulation for the Spanish S80 class submarine.

It provides full acoustic stimulation, scenario modeling and simulation of all submarine sonar antennas.

